

## Speaker System

# SKF-4800

## Instruction Manual

Thank you for your purchase of the Onkyo speaker system.

Please read this manual thoroughly before using it. Following the instructions in this manual will enable you to obtain optimum performance and listening enjoyment from your new speaker system.

Please retain this manual for future reference.

### Before using this unit

- The speaker cabinet is made of wood and is therefore sensitive to extreme temperatures and humidity. Avoid placing the speaker systems in locations subjected to direct sunlight, or in smoky or in humid places, such as near an air conditioner, humidifier, bathroom, or kitchen. Doing so may result in damage to the speaker.
- Place the unit on a rigid, level surface. Placing it on a slanted surface or weak base not only may cause the unit to fall, but also results in decreased sound quality.
- Be sure to turn off your amplifier before connecting the speaker system. Connecting them with the amplifier's power on may result in damage to the amplifier or the speaker system.
- Keep water or other liquids away from the unit. If water is spilled into the unit, not only the unit but also the speakers themselves may be damaged.

### Precaution on use

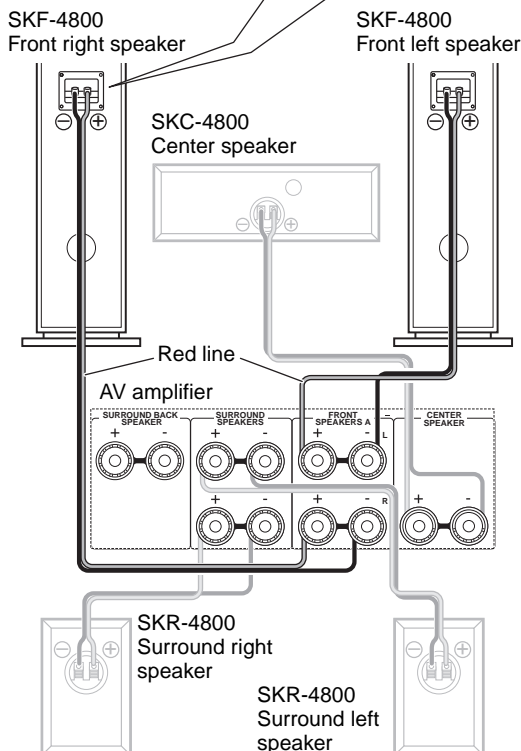
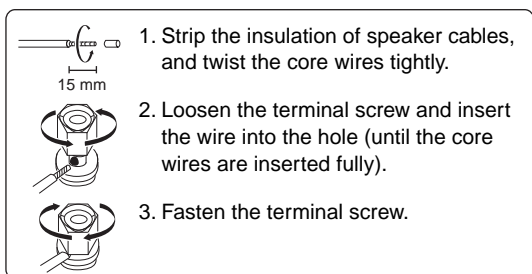
- This speaker system can handle the specified input power when it is used for ordinary music reproduction. If the following abnormal signals are fed to the speaker, however, an overcurrent may flow in the internal circuits, causing burning or breakage of the wires even if the input power is below the specified rating.
  1. Noise produced when FM station is not tuned in
  2. Sound produced when fast-forwarding cassette tape deck
  3. High-frequency sound generated by an oscillator, an electronic musical instrument, etc.
  4. Oscillating amplifier signals
  5. Special test signals produced by audio checking CD, etc.
  6. Sound produced when connecting or disconnecting audio connection cables (Always turn off the amplifier's power before connecting or disconnecting cables.)
  7. Howling when a microphone is used
- Do not place magnetic objects such as screwdrivers and iron parts near the tweeter since they use speakers with strong magnets. Otherwise, the objects may be attracted, causing injury or damaging the diaphragm.

## Connections

- The two speakers are identical, so it doesn't matter which one you use on the left or right.
- Turn the sound volume to the minimum and disconnect the power cord from the amplifier before connecting the speaker cables.
- The nominal impedance of this speaker system is 6 Ω. Use only amplifiers capable of handling this impedance.
- Use the supplied speaker cables to connect between speaker's input terminals and the amplifier's speaker terminals as illustrated on the below
- Use the red line wires to connect the positive (+) terminals.
- Connect the speaker cables securely to the terminals, with the core wires twisted properly. In this case, make sure that the core wires do not touch each other. Note that a short circuit in core wires may result in damage to the amplifier.



## Connecting to AV amplifier



## Before turning on the amplifier's power switch:

- Make sure that the positive (+) and negative (-) speaker cables do not contact each other. Otherwise, a short-circuit may occur, causing damage to the amplifier.
- Be sure to connect the speaker cables with correct polarity (connect the speaker's positive (+) and negative (-) binding posts with the amplifier's corresponding speaker terminals). Reversed polarity results in impaired bass-range reproduction, causing mislocalization of the sound image. Also, be sure to connect the Right and Left speakers with the amplifier's corresponding speaker terminals.
- Pull lightly on the speaker cables to ensure that they are connected firmly.

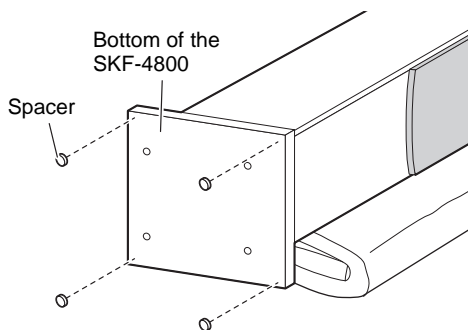
## Placement

The sound quality a speaker system reproduces varies greatly depending on the construction and area of the room where it is installed, as well as the location and size of the furniture. For better-quality sound, observe the following precautions.

- Avoid placing the speaker system on an elevated object such as on concrete blocks. Instead, place it on a rigid floor surface with minimal vibration. Also note that high-quality bass cannot be obtained if the speaker system is unstably positioned. Generally speaking, placing the speaker system on several small-diameter supports results in better bass than placing it directly on the installation surface. Moreover, if you feel the bass reproduced by the system is too weak, move the speaker system closer to the wall behind it. You can thus control the strength of the reproduced bass by the position of the speakers.
- In many rooms, the furniture and wall affect the reproduced sound quality. For stereo sound reproduction, placing the Right and Left speakers in the same condition produces the best results. If they are placed in extremely different conditions, the Right- and Left-channel balance will be adversely affected.
- The ideal placement of the speaker system is as follows: Imagine an equilateral triangle and position the Right and Left speakers on both ends of the base. The ideal listening position is at or slightly to the rear of the triangle apex.
- Glazed doors or surrounding walls in front of the speaker system may cause the resonance of specific frequency ranges due to reflected sound. To eliminate this resonance, place some sound-absorbing material such as a thick curtain in front of the doors or walls.

## Using spacers

Affix four of the supplied spacers to the speaker.

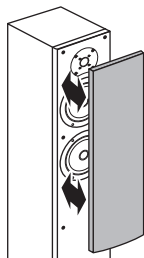


### Note:

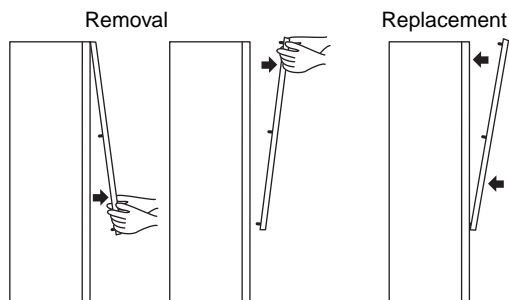
- When you lay the speaker on the floor, be sure to have another person support it.
- Use a blanket or cushion to avoid scratches.

## Attaching and detaching the speaker grilles

This speaker system uses detachable grilles. Use the following method to attach or detach the grilles.



1. While holding the bottom edge of the speaker grille with your both hands, pull it gently toward you to remove the bottom of the grille.
2. In the same way, gently pull the upper edge of the speaker grille toward you with your both hands to remove it from the main unit.
3. To replace the grille, push the projections at the corners into the grille plug holes on the speaker cabinet.



### Note:

Be careful to not to break the grille.

## Use with a TV set

In general, Braun tubes used for color TV sets, etc. are extremely sensitive and can be affected even by the magnetism of the earth. If a speaker system is used near them, therefore, discoloration or distortion of pictures will occur. Try moving the speakers away from your TV sets. If discoloration should occur, turn off your TV sets, wait 15 to 30 minutes, and then turn it back on again. This normally activates the degaussing function, which neutralizes the magnetic field, thereby removing any discoloration effects.

## Speaker care

Your Onkyo speakers are finished with a very high quality polymer laminate covering that serves to protect the wood speaker cabinet.

Wipe the cabinet periodically with a dry, silicon-embedded or plain soft cloth.

The covering may be cleaned with a soft cloth moistened with water and a mild soap. Avoid the use of furniture polishes or harsh cleansers. Use a soft brush or hand vacuum cleaner to remove dust and lint from the grille material.

## Specifications

Type:	2-way Bass Reflex
Impedance:	6 $\Omega$
Maximum input power:	130 W
Output sound pressure level:	86 dB/W/m
Frequency response:	55 Hz-35 kHz
Crossover frequency:	3 kHz
Cabinet capacity:	40 L
Speaker:	16 cm Cone Woofer x 2 2.5 cm Soft-dome Tweeter
Dimensions:	295 (W) x 1024 (H) x 305 (D) mm (Overall dimensions)
Weight:	13.0 kg (/speaker)
Accessory:	3.5 m speaker cable x 2 Instruction manual Cork spacer x 8

Specifications and appearance are subject to change for improvement without prior notice.

