

UNIVERSAL

VLOGGER KIT

FILMMAKING KIT FOR MOBILE PHONES



MOBILE
FILMMAKING



PROFESSIONAL
QUALITY



DIRECTIONAL
SOUND PICKUP



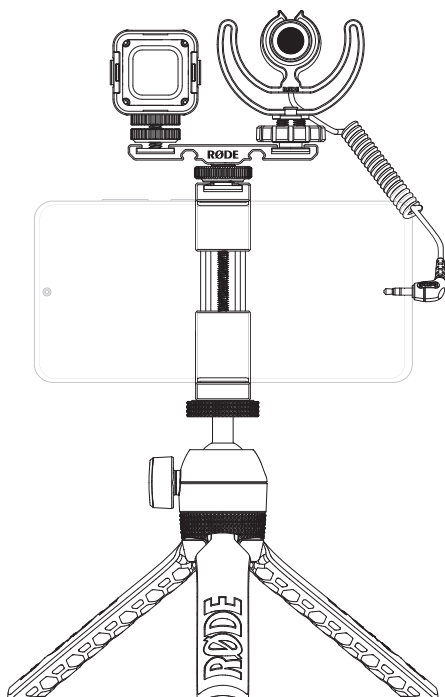
The Universal Vlogger Kit contains everything you need to get professional results when filming using your mobile phone with a 3.5mm input. The VideoMicro will vastly improve your audio, delivering crystal-clear, directional sounds for any application. The SmartGrip secures your device firmly in place for stable recording and connects seamlessly to the Tripod 2 for either handheld or tabletop use, while the MicroLED ensures all your shots are perfectly lit.

- Complete mobile filmmaking kit
- Directional sound pickup to reduce background noise
- MicroLED light offers over four hours operation on a single charge
- Three-position tripod for handheld or static use
- Gimbal tripod head for accurate camera positioning
- All-metal mount with rubberised grips for phones 65mm to 85mm wide
- Dual cold shoe mount included



IN THE BOX

- VideoMicro Microphone
- Rycote Lyre Suspension Mount
- WS9 Windshield
- SmartGrip
- Tripod 2
- DCS-1
- MicroLED On-camera Light
- Clip-on Diffuser
- 8 Coloured Filters
- USB-C Cable
- SC7 Cable



VideoMicro™

COMPACT ON-CAMERA MICROPHONE



COMPACT
DESIGN



INTEGRATED RYCOTE®
LYRE® SUSPENSION

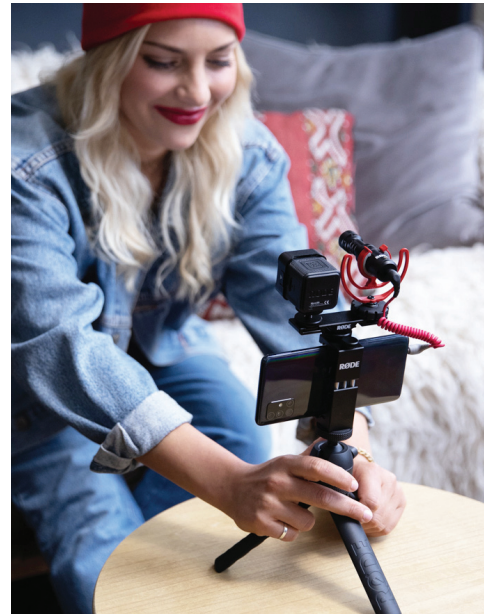


NO BATTERY
REQUIRED



The VideoMicro is an ultra-compact microphone designed to significantly improve the audio quality of your videos. It features a high-quality cardioid condenser capsule, rugged aluminium construction, and durable black ceramic anti-glare coating, making it a great addition to any vlogging rig. The VideoMicro has no complicated switches or settings and is powered by your device's external microphone input, requiring no batteries to operate.

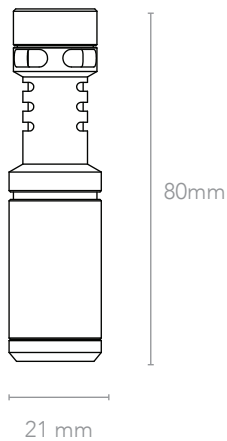
- Compact size and lightweight - only 80mm (3") long and 42gm (1.5oz)
- All-metal microphone body
- No battery required (powered by device plug-in power - min 2V)
- Rycote® Lyre® shock mount included
- Deluxe furry windshield included (WS9)



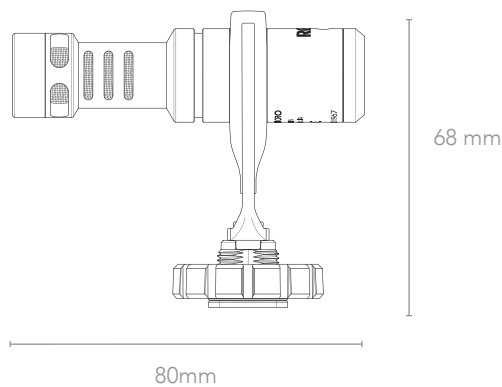
ACOUSTIC & ELECTRICAL SPECIFICATIONS

Acoustic Principle:	Pressure gradient
Polar Pattern:	Cardioid
Frequency Range:	100Hz - 20kHz
Signal to Noise Ratio:	75 dB SPL
Equivalent Noise:	20 dB SPL
Maximum SPL:	140 dB SPL (1 kHz @ 1m)
Sensitivity	-33dB re 1V/Pa (22mV @ 94dB SPL) ± 2dB @ 1kHz
Dynamic Range	120dB SPL
Power Requirement:	Plug-in power required (2V-5V DC)
Microphone Output:	3.5mm TRS- mini-jack (dual mono)
SC7 Cable Output:	3.5mm TRRS mini-jack (suitable for mobile devices)
Material:	Aluminium
Colour:	Black
Weight (grams):	42
Dimensions: (millimetres)	Length: 80 Height: 68 Depth: 21

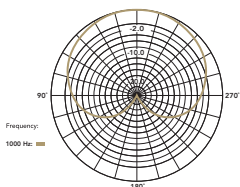
Top view



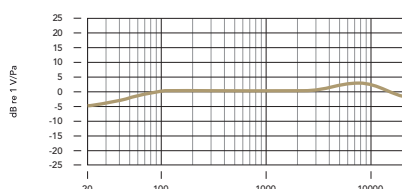
Side view



POLAR PATTERN



FREQUENCY RESPONSE



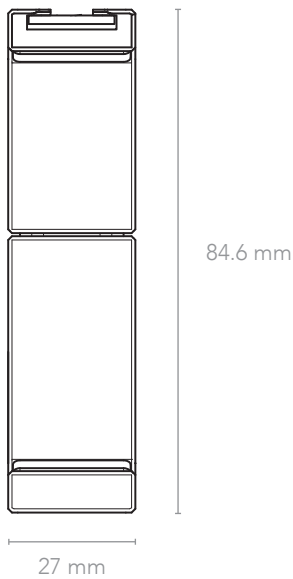
SMARTGRIP

SMARTPHONE TRIPOD ADAPTOR

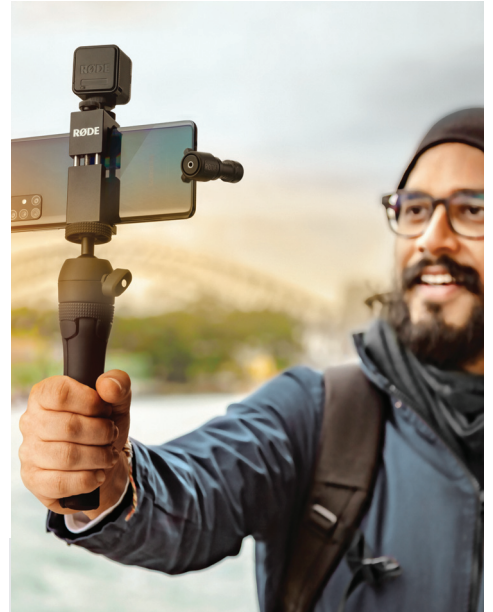
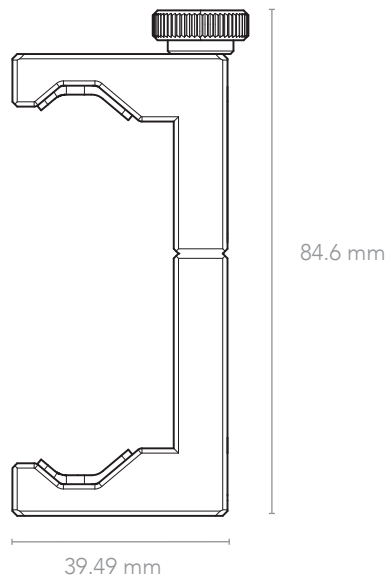


The SmartGrip is a high-quality solution for mounting a smartphone on a tripod. It features a cold shoe mount for easy attachment of RØDE VideoMics and other accessories. Three 1/4" thread attachment points allow for easy mounting on tripods and grips in a range of orientations. The SmartGrip features rugged metal construction with rubberised grips and is suitable for mounting phones from 65mm to 85mm in width.

Front view



Side view



MECHANICAL SPECIFICATIONS

Material: Aluminium/Steel

Colour: Black

Weight (grams): 89

Product Dimensions (millimetres)
Length: 27
Width: 39.49
Height: 84.6

Compatible RØDE Products:
• Tripod
• DCS-1

Support Weight (grams): Up to 226

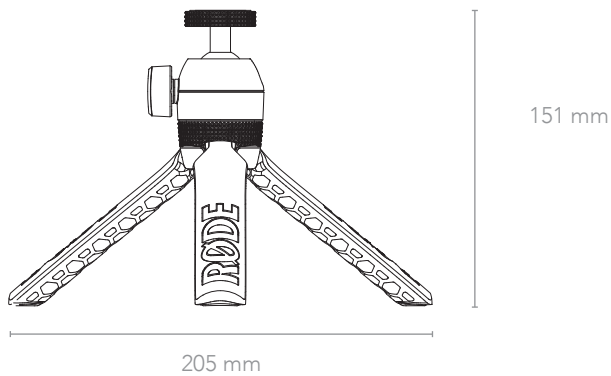
TRIPOD 2

CAMERA AND ACCESSORY MOUNT

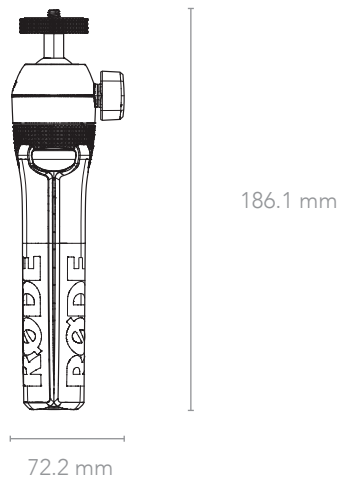


The Tripod 2 is a sturdy three-position tripod for mounting cameras, microphones and other accessories. In the closed position, it is perfect for handheld use. The tripod legs can also be opened out to a mid or wide setting for optimal positioning and stability. The Tripod 2 has a 1/4" thread for attaching cameras and camera accessories.

Fully extended view



Closed view



MECHANICAL SPECIFICATIONS

Material:	Injection-moulded polymer
Colour:	Black
Weight (grams):	180
Product Dimension (millimetres)	Closed: Height: 186.1 Width: 72.2mm Fully extended: Height: 151 Width: 205
Compatible RØDE Products:	<ul style="list-style-type: none">• SmartGrip
Support Weight (kilograms):	Up to 2 (when the head is at a 90 degree angle and the Tripod 2 is fully extended)

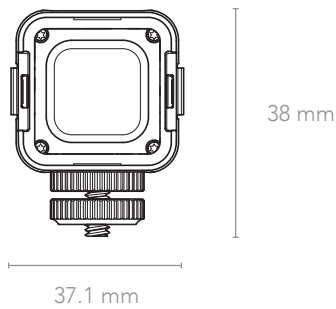
MicroLED

COMPACT ON-CAMERA LIGHT

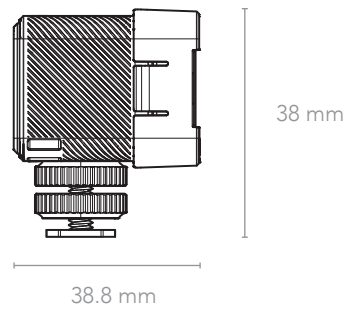


The MicroLED is a compact rechargeable on-camera light. It is ideal for vlogging, newsgathering, mobile filmmaking and documentary production. The MicroLED features four adjustable brightness settings, and a clip-on diffuser with eight coloured filters. To power on the MicroLED, hold the power button on the top of the unit. The MicroLED's internal battery can be charged via the USB-C charging port. Run time over four hours at low brightness.

Front view



Side view



MECHANICAL & ELECTRICAL SPECIFICATIONS

Connectivity: USB Type-C

Battery Usage Time (minutes):

Maximum Brightness: Up to 52
High Brightness: Up to 75
Medium Brightness: Up to 105
Low Brightness: Up to 255

Lumens (LUX)

Maximum Brightness 300
High Brightness 230
Medium Brightness 160
Low Brightness 60

Power Requirements: 5V = 2A

Weight (grams): 58.7

Product Dimensions (millimetres):
Length: 38.8
Width: 37.1
Height: 38

Compatible RØDE Products:
• DCS-1
• SmartGrip

DCS-1

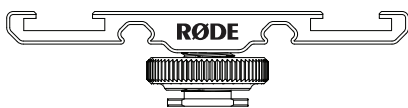
DUAL COLD SHOE MOUNT



The DCS-1 is a dual cold shoe mount that allows for the neat mounting of two microphones or cold shoe accessories on a device with a single cold shoe mount. It is compatible with all RØDE products featuring a cold shoe adaptor, and includes cable management slots for select RØDE audio cables.

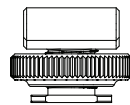
- Dual cold shoe mount
- Rugged construction
- Lightweight and discreet
- Sturdy base with 1/4" thread

Front view



92.5mm

Side view



22mm



MECHANICAL SPECIFICATIONS

Weight (grams): 42.7

Dimension (millimetres):
Width: 21
Length: 92.5
Height: 22

Compatible RØDE Products:

- MicroLED
- SmartGrip
- Wireless GO
- VideoMic NTG
- VideoMicro
- VideoMic
- VideoMic Pro
- VideoMic Pro+
- VideoMic GO
- Stereo VideoMic
- Setero VideoMic Pro
- Stereo VideoMic X