

i-XY

Stereo Microphone for iPhone® 5, 5S and 5C

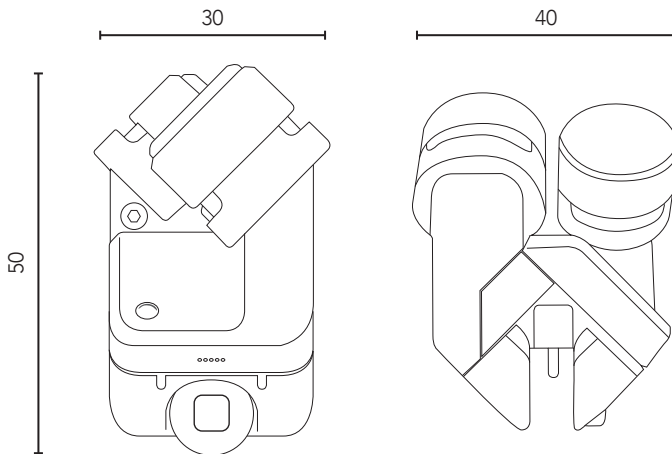


Features

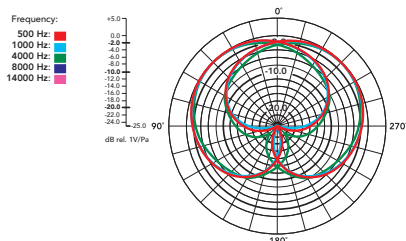
- Record at 24-bit, 96kHz using the RØDE Rec app.
- Inbuilt microphone preamp and analog to digital conversion for low noise, high quality recording.
- Software-switchable 72Hz high pass filter for reduction of unwanted low frequency noise.
- Software adjustable internal preamp level control
- Compatible with iPhone 5, iPhone 5s, iPhone 5c.
- Metal casing for enhanced durability and electromagnetic interference immunity.
- Windshield and zip case included

Specifications

Acoustic Principle	Pressure Gradient
Active Electronics	JFET impedance converter, 24bit 96kHz A/D conversion
Polar Pattern	Cardioid X/Y
Frequency Range	20Hz ~ 20kHz
Signal to noise Ratio	76 dBA SPL (as per IEC651)
Equivalent Noise	17 dBA SPL (as per IEC651)
Maximum SPL	139dB SPL
Sensitivity	-34 dB re 1V/Pa (19.7mV @ 94dB SPL) ± 2dB @ 1kHz
Dynamic Range	122 dB SPL
Power Requirements	Powered from device
Output Connection	Apple lightning connector
Weight	51g
Dimension (W×L×H)	30mm x 40mm x 50mm



Polar Pattern



Frequency Response

