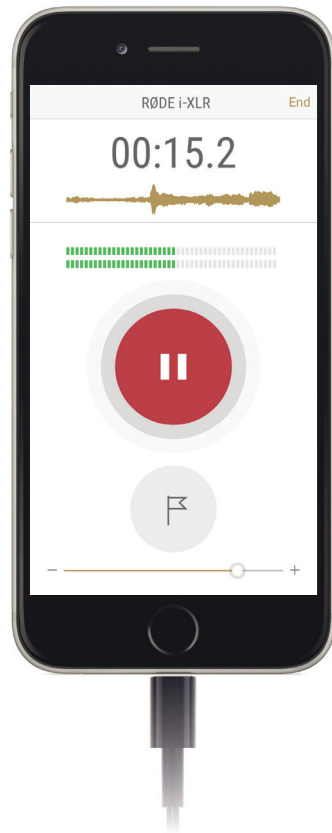


# i-XLR

Digital XLR interface for Apple iOS devices

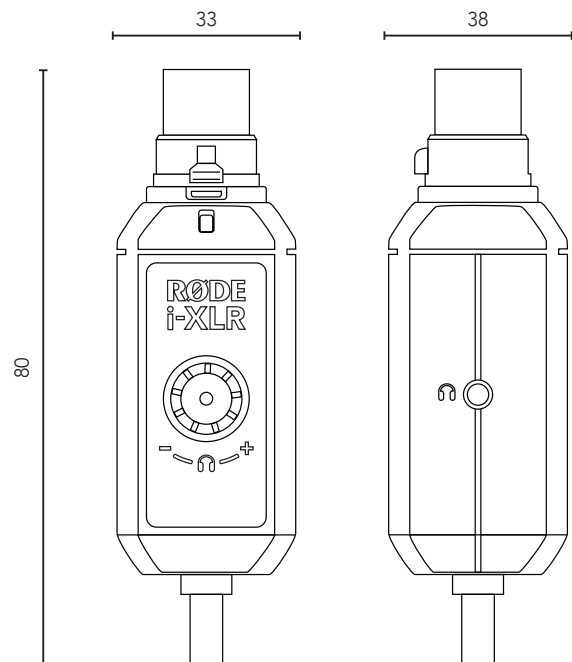


## Features

- High quality digital interface for XLR microphones
- 3m shielded Lightning cable
- 3.5mm headphone jack with variable level
- -20dB pad switchable in app\*
- Record status LED on device\*
- Compatible with all dynamic and self-powered microphones
- Designed and made in Australia

## Specifications

Input Connection	XLR
Output Connection	Apple Lightning connector
Power Requirements	Powered from device
Dimensions	33mm W x 38mm D x 80mm H
Weight	125gm



\*Supporting app required