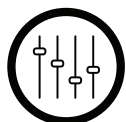


XDM 100

DYNAMIC USB MICROPHONE FOR
STREAMING AND GAMING

The XDM-100 is a professional dynamic USB microphone optimised for streaming and gaming. It delivers rich, broadcast sound with superior room noise rejection and features premium circuitry, including an ultra-low-noise, high-gain Revolution Preamp™ and high-resolution A/D conversion. It has a zero-latency 3.5mm headphone output with level control and mute functionality and comes with a high-quality pop shield and shock mount. The XDM-100 also comes with a free download of UNIFY virtual mixing software, which unlocks advanced audio processing, powered by internal DSP. Together, they offer a complete audio solution for streaming and gaming.

- Professional dynamic USB microphone
- Complete audio solution for streaming and gaming with included UNIFY software
- Rich, detailed audio capture optimised for voice applications
- Superior room noise rejection
- Zero-latency headphone output with level control and mute button
- Internal DSP for advanced audio processing
- Plug-and-play USB-C connectivity with 24-bit, 48 kHz analog-digital conversion
- Pop shield and shock mount included



STUDIO QUALITY



LOW NOISE
HIGH GAIN



HEADPHONE
OUTPUT JACK



USB AUDIO



ACOUSTIC & ELECTRICAL SPECIFICATIONS

Polar Pattern:	Cardioid
Capsule:	Dynamic
Frequency Range:	20 Hz – 20 kHz
Connectivity:	USB-C
Analog Outputs:	3.5mm Headphone Output
Sample Rate:	48 kHz
Bit Depth:	24-bit
OS Requirements:	MacOS 10.12 Windows 10

RØDE

MECHANICAL SPECIFICATIONS

Net Weight (g):	700g
Dimensions (mm):	52 (W) x 213 (H)
Included Accessories:	PSM1 Shock Mount SC29 USB-C to USB-C cable 3m Headphone Extension Cable Pop Shield

WHAT'S IN THE BOX



XDM-100



Pop Shield



PSM1 Shock Mount

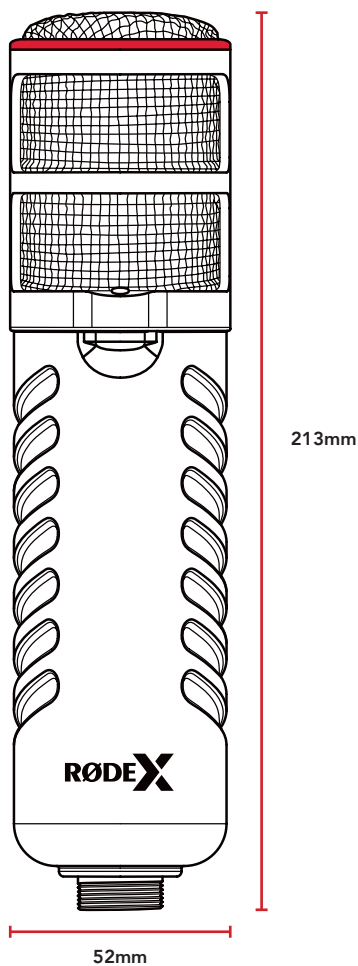


SC29

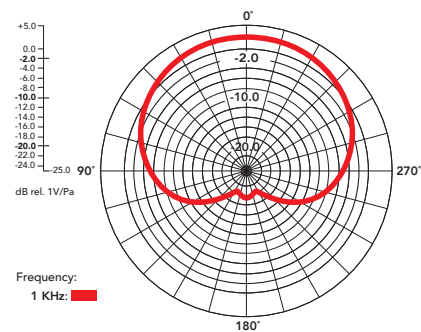


SC30

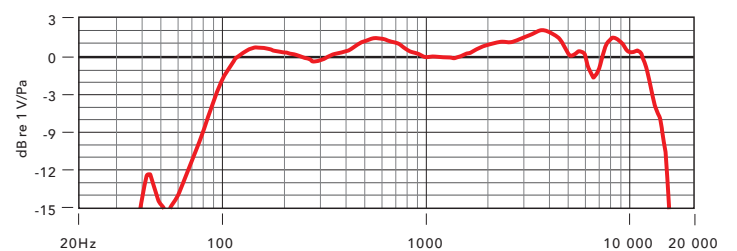
DIMENSIONS



POLAR PATTERN



FREQUENCY RESPONSE



RØDE