

VideoMicro™

COMPACT ON-CAMERA MICROPHONE



INTEGRATED RYCOTE®
LYRE® SHOCK MOUNT



COMPACT
DESIGN



NO BATTERY
REQUIRED



The VideoMicro is an ultra-compact microphone designed to significantly improve the audio quality of your videos. It features a high-quality cardioid condenser capsule, rugged aluminium construction, and durable black ceramic anti-glare coating, making it a great addition to any vlogging rig. The VideoMicro has no complicated switches or settings and is powered by your device's external microphone input, requiring no batteries to operate.

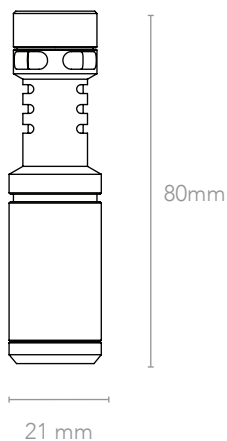
- Compact size and lightweight - only 80mm (3") long and 42gm (1.5oz)
- All-metal microphone body
- No battery required (powered by device plug-in power - min 2V)
- Rycote® Lyre® shock mount included
- Deluxe furry windshield included (WS9)



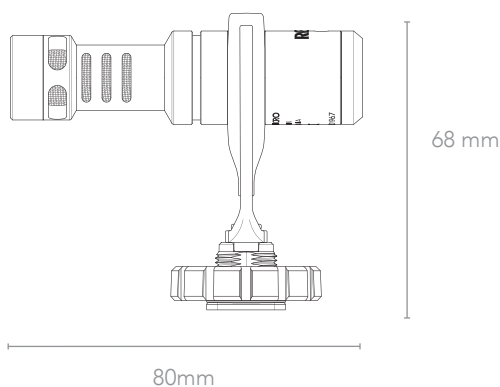
ACOUSTIC & ELECTRICAL SPECIFICATIONS

Acoustic Principle:	Pressure gradient
Polar Pattern:	Cardioid
Frequency Range:	100Hz - 20kHz
Signal to Noise Ratio:	75 dB SPL
Equivalent Noise:	20 dB SPL
Maximum SPL:	140 dB SPL (1 kHz @ 1m)
Sensitivity:	-33dB re 1V/Pa (22mV @ 94dB SPL) ± 2dB @ 1kHz
Dynamic Range:	120dB SPL
Power Requirement:	Plug-in power required (2V-5V DC)
Microphone Output:	3.5mm TRS- mini-jack (dual mono)
Material:	Aluminium
Colour:	Black
Weight (grams):	42
Dimensions (millimetres):	Length: 80 Height: 68 Depth: 21

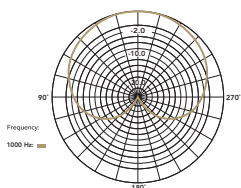
Top view



Side view



POLAR PATTERN



FREQUENCY RESPONSE

