

# VIDEOMICRO II

## ULTRA-COMPACT ON-CAMERA MICROPHONE

The VideoMicro II is an ultra-compact and lightweight on-camera shotgun microphone for recording high-quality audio with a camera or mobile device. Featuring RØDE's innovative annular line tube technology, it delivers highly transparent and directional sound ideal for content creation and filmmaking applications. With no batteries required and no complicated controls, it is incredibly simple to use, and the innovative HELIX™ isolation mount system and included windshields will ensure all your recordings are crystal-clear.

- Ultra-compact on-camera shotgun microphone
- 3.5mm TRS output for connecting to cameras or mobile devices
- No batteries required
- Annular line tube technology for highly transparent and directional sound
- Innovative HELIX™ isolation mount system
- Deluxe foam and furry windshields included
- 3.5mm TRS to TRS and TRS to TRRS cables included
- Designed and made in Australia



ULTRA-COMPACT  
DESIGN



HELIX™  
ISOLATION MOUNT



NO BATTERY  
REQUIRED



HIGHLY  
DIRECTIONAL



### ACOUSTIC & ELECTRICAL SPECIFICATIONS

Acoustic Principle:	Pressure gradient electret condenser
Polar Pattern:	Supercardioid
Frequency Response:	20Hz - 20kHz
Output Impedance:	~2.6kΩ
Signal to Noise Ratio:	79 dB
Dynamic Range:	95 dB
Sensitivity:	-30dBV (31.62 mV @ 94 dB SPL) ± 1 dB @ 1kHz
Max Input SPL:	110 dB SPL
Output Connections:	3.5mm TRS



RØDE

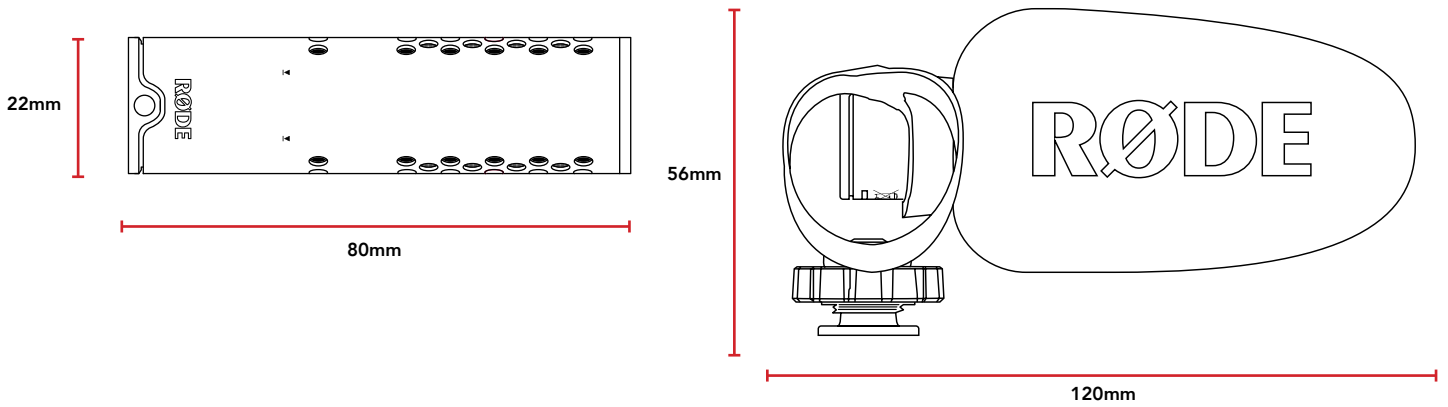
**MECHANICAL SPECIFICATIONS**

Weight (grams):	VideoMicro II: 24 VideoMicro II with isolation mount: 39
Dimensions (millimetres):	Length: 80 Diameter: 22
Compatible RØDE Accessories:	SC3, SC4, SC8, SC11, DCS-1, Tripod 2, VXL Pro, VXL+, Mini Boompole
Included Accessories:	1 x Helix™ Isolation Mount 1 x Foam Windshield 1 x WS12 Furry Windshield 1 x SC7 TRS to TRRS Patch Cable 1 x SC13 TRS to TRS Patch Cable

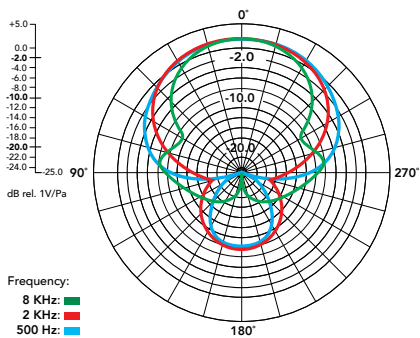
**WHATS IN THE BOX**



**DIMENSIONS**



**POLAR PATTERN**



**FREQUENCY RESPONSE**

