

VIDEOMIC GO™

LIGHTWEIGHT ON-CAMERA MICROPHONE

Clear, directional audio on the GO! Compact and light weight by design, the VideoMic GO delivers clear, crisp, directional audio with incredible ease of use. Its tight pickup area focuses directly in front of the microphone and reduces other surrounding sounds, ensuring that your subject is isolated from distracting background noise.

- High quality directional microphone
- No battery required (powered by camera plug-in power - min 2.5V)
- Integrated Rycote® Lyre® shock mounting
- Rugged reinforced ABS construction
- Integrated cold-shoe mount with 3/8" thread



NO BATTERY
REQUIRED



LIGHTWEIGHT



INTEGRATED RYCOTE®
LYRE® SHOCK MOUNT



ACOUSTIC & ELECTRICAL SPECIFICATIONS

Acoustic Principle:	Line Gradient
Directional Pattern:	Supercardioid
Frequency Range:	100Hz ~ 16,000Hz
Sensitivity:	-35dB re 1V/Pa (17.8V @ 94dB SPL) ±2dB @ 1kHz
Signal to Noise Ratio:	60dB SPL (A - weighted per IEC651)
Equivalent Noise:	34dBA SPL (A - weighted per IEC651)
Dynamic Range:	96dB (per IEC651)
Max Input SPL:	110 dB SPL
Output Connection:	3.5mm TRS mini-jack (dual mono)
Maximum SPL:	120dB (@ 1kHz, 1% THD into 1kΩ load)
Power Requirement:	Plug-in power required (330uA @ 2.5V)



RØDE

MECHANICAL SPECIFICATIONS

Weight (grams):	73
Dimensions (millimetres):	Length: 167
	Width: 70
	Height: 79
What's in the box:	VideoMic GO SC2

WHATS IN THE BOX

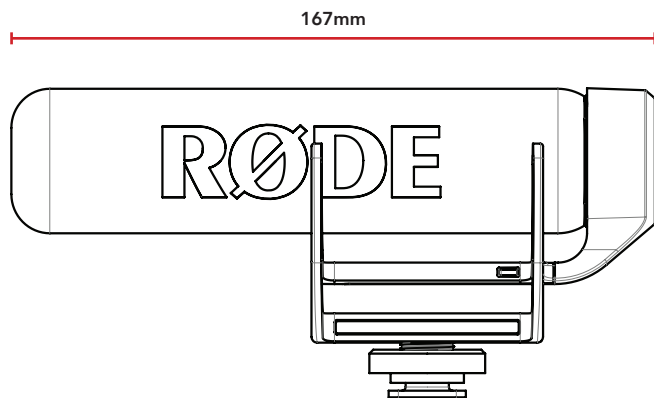
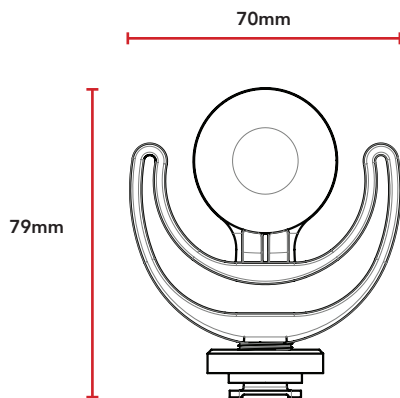


VideoMic GO

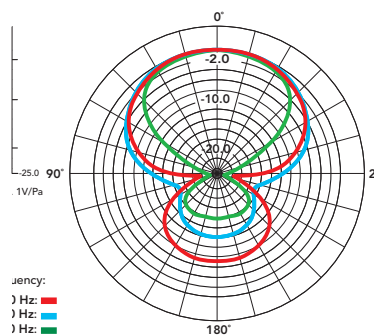


SC2

DIMENSIONS



POLAR PATTERN



FREQUENCY RESPONSE

