

# PODMIC

DYNAMIC PODCASTING MICROPHONE

The PodMic is a broadcast-quality dynamic microphone optimised for incredible performance in podcasting, livestreaming, and other speech or vocal applications. Offering a rich, full-bodied sound, with an internal pop filter for minimising plosives, internal shockmount for reducing vibrations, and a swing mount for easy positioning, the PodMic will take your content to the next level.

- Broadcast quality dynamic capsule
- Optimised for speech applications
- Internal pop filter to minimise plosives
- Robust, all metal construction
- Optimised for use with RØDECaster Pro consoles



BROADCAST  
QUALITY



INTERNAL  
POP FILTER



RUGGED BUILD



## SPECIFICATIONS

Acoustic Principle:	Dynamic
Polar Pattern:	Cardioid
Frequency Range:	50Hz - 15kHz
Output Impedance:	320Ω
Sensitivity:	-57dBV (1.4mV @ 94dB SPL) +/- 2dB @1kHz
Output Connection:	XLR
Phantom Power:	Not required
Colour:	Black and White
Weight (grams):	937
Product Dimensions (millimetres):	Length: 172 Width: 109 Height: 62
Compatible RØDE Accessories:	PSA1+ DS1 DS2
Features list:	Integrated swing arm



Black



White



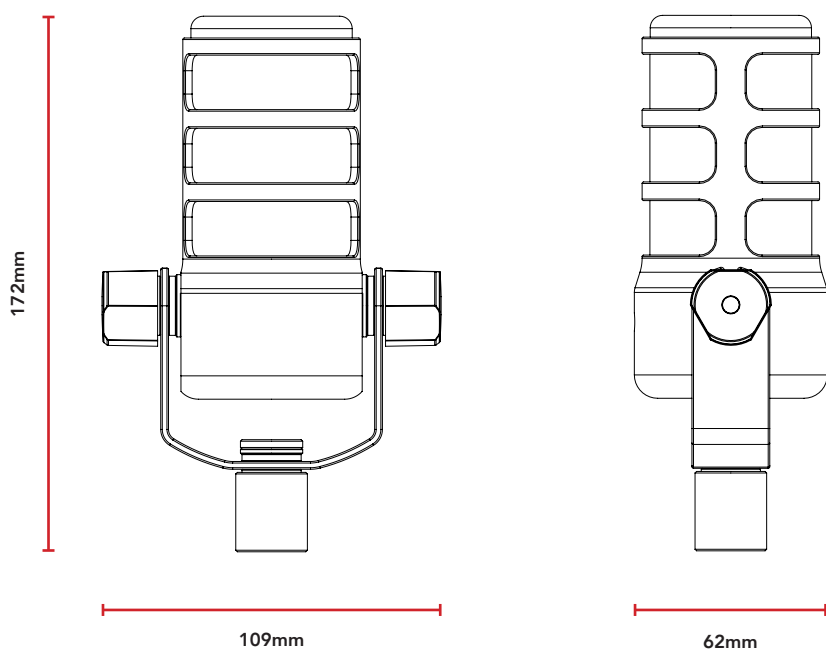
**RØDE**

## WHATS IN THE BOX

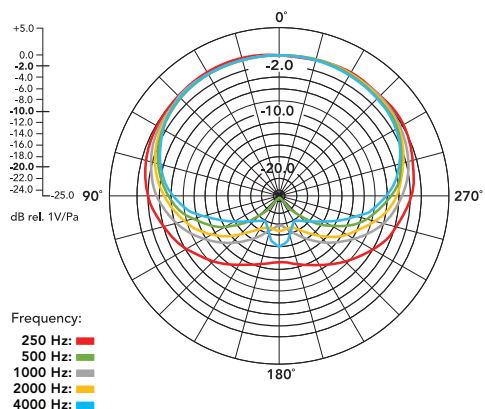


PodMic  
(Black or White)

## DIMENSIONS



## POLAR PATTERN



## FREQUENCY RESPONSE

