

# NTG5

LOCATION RECORDING KIT

The NTG5 is a short shotgun mic designed for the most demanding recording applications. Tailored frequency response, tight polar pattern and smooth off-axis response deliver superb audio. Lightweight aluminium construction makes it perfect for location recording with a boom pole, and RF-bias circuitry and conformal coating ensure high resistance to adverse environmental conditions.

- Broadcast-grade short shotgun microphone
- Tailored low frequency response
- Highly directional
- Resistant to adverse conditions and RF interference
- Ultra lightweight – just 76g
- Innovative acoustic design



BROADCAST  
QUALITY



FLAT FREQUENCY  
RESPONSE



HIGHLY  
DIRECTIONAL



INTERFERENCE  
RESISTANT



EXTREMELY  
LIGHTWEIGHT



## ACOUSTIC & ELECTRICAL SPECIFICATIONS

Acoustic Principle:	RF-bias condenser
Active Electronics:	RF-bias demodulation
Polar Pattern:	Supercardioid shotgun
Frequency Range:	20 Hz – 20 kHz
Frequency Response:	80 Hz - 20 kHz $\pm 3$ dB
Output Impedance:	25 $\Omega$
Signal to Noise Ratio:	84 dB
Equivalent Noise:	10 dB SPL (A-weighted, as per IEC651)
Input SPL @ 1%THD:	130 dB SPL (1kHz @ 1% THD, 600 $\Omega$ load)
Power Requirements:	2 mA @ 48V phantom power
Sensitivity:	-23.5 dB re. 1 Volt/Pascal or Better (66 mV @ 94 dB SPL @ 1 kHz)



**RØDE**

## MECHANICAL SPECIFICATIONS

Weight (grams):	NTG5: 76
	PG2-R: 224
Dimensions (millimetres):	NTG5: Height: 203 Width: 19 Diameter: 19
	PG2-R: Height: 240 Width: 60 Diameter: 117
Compatible RØDE Accessories:	Blimp, Boompole Pro, Boompole, SM4-R, SM3-R
Included Accessories:	1 x WS10
	1 x ZP1
	1 x PG2-R
	1 x PG2-R Pro Cable

## WHATS IN THE BOX



NTG5



WS10



ZP1

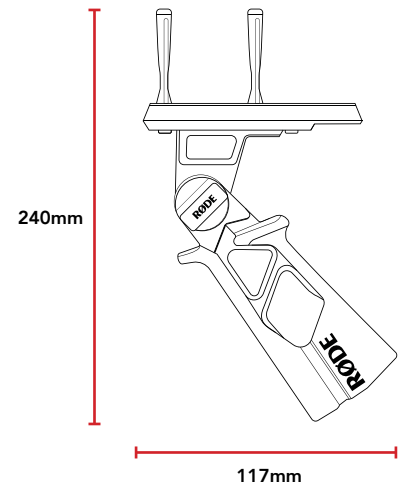
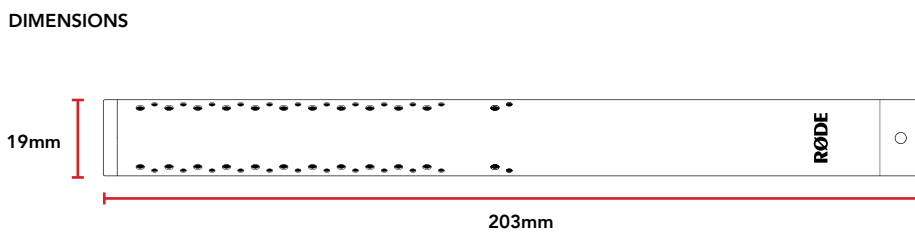


PG2-R

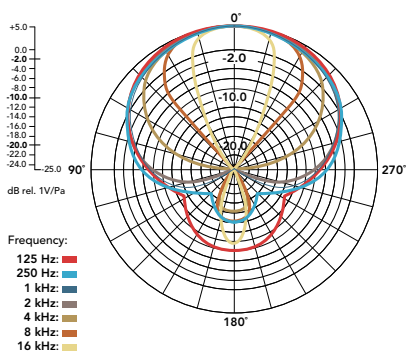


PG2-R Pro Cable

## DIMENSIONS



## POLAR PATTERN



## FREQUENCY RESPONSE

