

# NT-USB

STUDIO-QUALITY USB MICROPHONE

The NT-USB is a professional USB condenser microphone that delivers exceptional performance for recording vocals and instruments, gaming and livestreaming, podcasting, voice-overs and more. Offering impeccable audio, elegant looks and premium features, all in an easy-to-use form factor, the NT-USB will have you sounding like a pro in seconds.

- Pop shield, Tripod desk stand, ring mount, storage pouch and 6m (20') USB cable included
- 3.5mm stereo headphone jack for zero-latency monitoring
- Direct mix control between mic input and source output
- Compatible with Apple iPad
- Cardioid polar pattern
- Compatible with the SMR shockmount & WS2 foam windshield
- Free two year extended warranty



STUDIO QUALITY



USB CONNECTIVITY



HEADPHONE OUTPUT JACK



DESK STAND & POP FILTER INCLUDED



## ACOUSTIC & ELECTRICAL SPECIFICATIONS

Acoustic Principle:	Pressure Gradient
Active Electronics:	JFET impedance converter with bipolar output buffer, A/D converter 16bit 48kHz, headphone amplifier
Directional Pattern:	Cardioid
Frequency Range:	20Hz ~ 20kHz
Dynamic Range:	96dB
Maximum SPL:	110 dB SPL
Power Requirements:	USB 5v DC
Output Connection:	USB



**RØDE**

## MECHANICAL SPECIFICATIONS

Weight (grams):	520g
Dimensions (millimetres):	Length: 184 Width: 62 Height: 50
Included Accessories:	1 x Stand Mount 1 x 6m USB Cable 1 x Detachable Pop Filter 1 x Desk Stand 1 x ZP2

## WHATS IN THE BOX



NT-USB Microphone



6m USB Cable



Detachable Pop Filter



Stand Mount

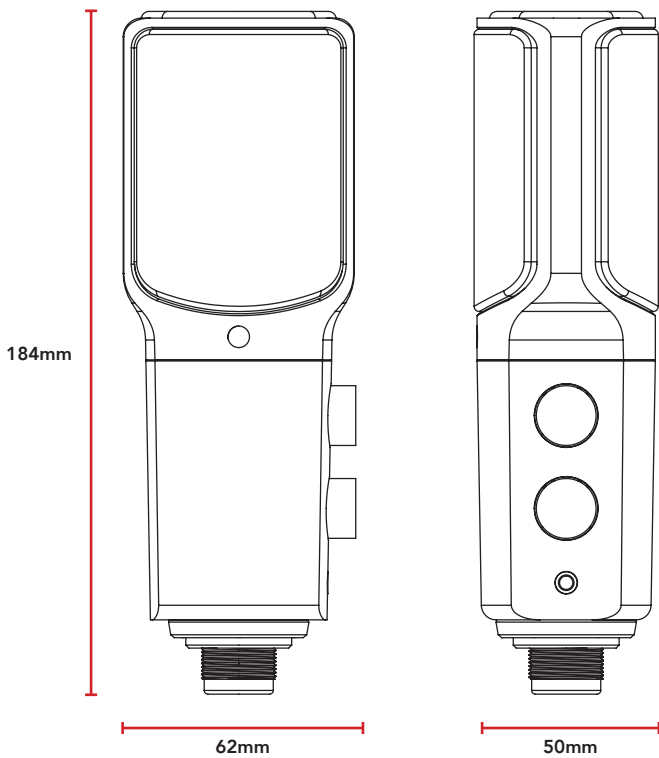


ZP2

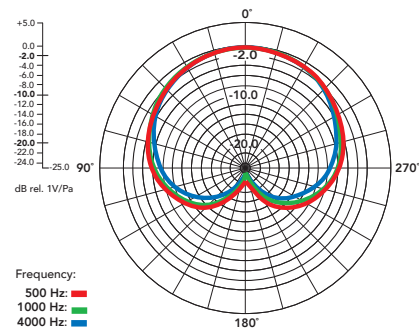


Desk Stand

## DIMENSIONS



## POLAR PATTERN



## FREQUENCY RESPONSE

