

NT-USB+

PROFESSIONAL USB MICROPHONE

The NT-USB+ is a professional-grade USB microphone with next-generation features for recording exceptional audio directly to a computer or mobile device. Its studio-grade condenser capsule and ultra-low-noise, high-gain Revolution Preamp™ deliver pristine audio quality ideal for a wide range of recording applications, including vocals and instruments, podcasting, streaming, and more. Powerful APHEX® audio processing is accessible via RØDE Connect for taking any recording to the next level. It also features a high-power headphone output for monitoring with zero latency and comes with a high-quality pop filter and desktop stand.

- Professional-grade USB microphone
- Ultra-low-noise, high-gain Revolution Preamp™
- High-power headphone output with zero-latency monitoring
- Powerful APHEX® audio processing accessible via RØDE Connect
- Detachable pop filter and desktop stand included

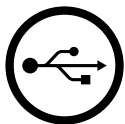


ACOUSTIC & ELECTRICAL SPECIFICATIONS

Acoustic Principle:	Pressure gradient
Polar Pattern:	Cardioid
Frequency Range:	20Hz - 20kHz
Dynamic Range @10% THD:	97dB
Input SPL @10% THD:	118.0dB (as per IEC 60268)
Output Connection:	3.5mm headphone connection USB-C connectivity
Analog Outputs:	3.5mm headphone jack
Power Requirements:	5V @ 500mA (USB Bus Power)
Computer Connectivity:	USB-C
Bit Depth:	24-bit
Sampling Rate (kHz):	48
Minimum OS Requirements:	MacOS 10.14 Windows 10 iOS 14 Android 11



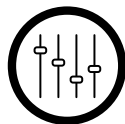
REVOLUTION
PREAMPS™



USB AUDIO
COMPATIBLE



HEADPHONE
OUTPUT JACK



STUDIO QUALITY

RØDE

MECHANICAL SPECIFICATIONS

Weight (grams):	NT-USB+: 540 Total (with all accessories): 730
Dimensions (millimetres):	Length: 184 Width: 62 Depth: 50
Compatible RØDE Accessories:	SC15, SC16, SC17, SC18, SC19, SC21, SC22, SC23, SC24, PSA1, PSA1+
Included Accessories:	1 x Desktop tripod 1 x Ring mount 1 x Pop filter 1 x SC29 USB-C to USB-C Cable
RØDE Software Compatibility:	RØDE Central RØDE Connect RØDE Reporter RØDE UNIFY

WHATS IN THE BOX



NT-USB+



Pop Filter



Ring Mount

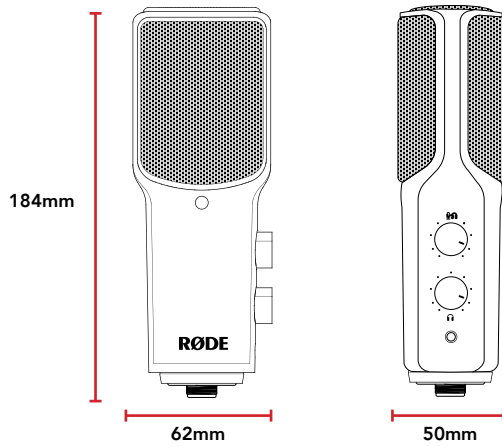


Tripod

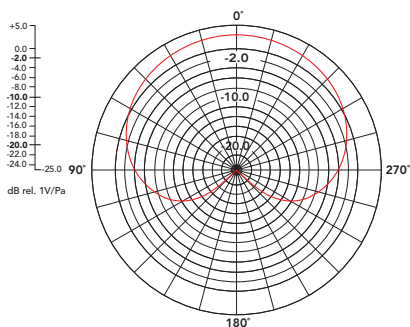


SC29

DIMENSIONS



POLAR PATTERN



FREQUENCY RESPONSE

