

**SONOS**<sup>®</sup> | **SONANCE**<sup>®</sup>

INSTALLATION MANUAL

---

SONOS OUTDOOR  
BY SONANCE

## Product Description

Thank you for purchasing SONOS OUTDOOR by SONANCE weather-resistant speakers.

When properly installed, these speakers will give you many years of outdoor entertainment pleasure. To get the most out of your new speakers, please read this manual thoroughly before you begin installation.

SONOS OUTDOOR by SONANCE speakers also feature exclusive audio enhancements designed for Sonos Amp. See “Unlocking Sonos Audio Enhancements” for instructions

The directions in this manual apply to the following models:

**SONOS OUTDOOR by SONANCE**

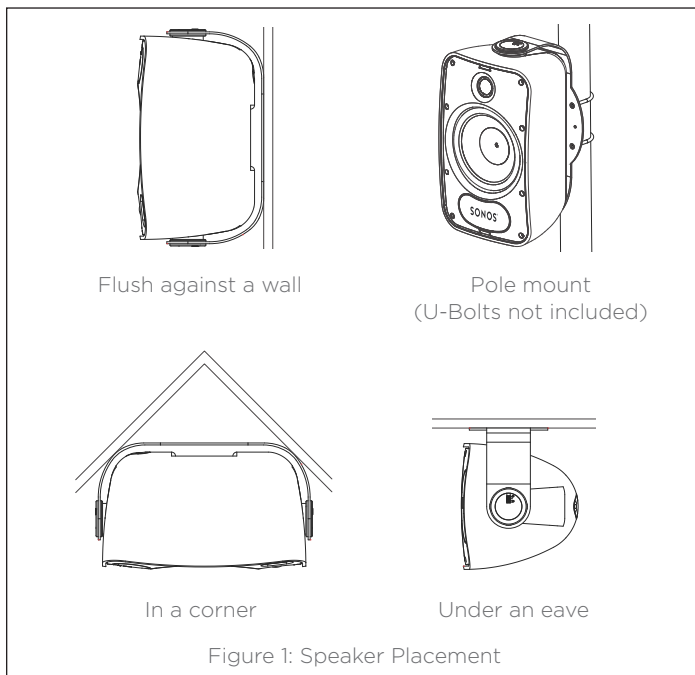
### Box Contents

- (2) Speakers
- (2) Speaker Grilles
- (2) FastMount® Brackets
- (2) Wiring Terminal Covers

## Speaker Placement

SONOS OUTDOOR by SONANCE speakers are highly weather-resistant, and when mounted outdoors will perform exceptionally well for years, even under adverse weather conditions.

The FastMount bracket system makes it easy to mount the speakers in a variety of positions and locations: (see figure 1).



The best performance is obtained by placing the speakers directed toward the listening area.

- If you are mounting the speakers above or below ear level, pivot them up or down to direct the sound towards the listeners.
- You can orient the speakers either horizontally or vertically without affecting the sound quality. For vertical orientation, please ensure that the tweeter is in the upright position with the SONOS logo toward the bottom as shown in the “pole mount” illustration in figure 1.

## Types of Wire

When installing SONOS OUTDOOR by SONANCE Speakers careful consideration should be made when determining speaker placement and wire gauge. Refer to the wiring chart (see figure 2) to determine which size wire to use over the given distance between the SONOS Amplifier and the speakers.

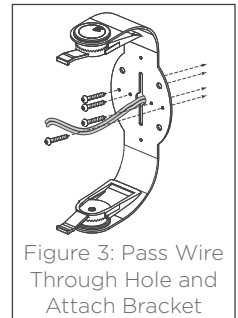
WIRE GAUGE CHART	
WIRE GAUGE	DISTANCE
18 Gauge	Up to 100 feet (30 meters)
16 Gauge	Up to 150 feet (45 meters)

Figure 2: Wire Gauge Chart

## Connecting and Assembling

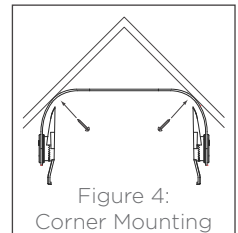
**WARNING: TURN THE AMPLIFIER’S POWER OFF UNTIL YOU HAVE COMPLETED ALL OF THE CONNECTIONS AND HAVE DETERMINED THAT THEY ARE CORRECT. (IF THE AMP’S AC PLUG IS ACCESSIBLE WE RECOMMEND THAT YOU UNPLUG IT FROM THE WALL OUTLET TO AVOID ACCIDENTAL TURN-ON AND POSSIBLE DAMAGE TO THE AMPLIFIER.)**

1. In most cases you will be able to attach the FastMount brackets directly to the mounting surface. Run the speaker wires from the amplifier to the speaker locations and through the holes in the brackets if used (see figure 3).



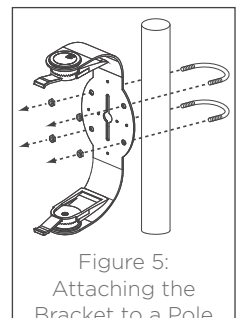
**NOTE: TO INCREASE WATER RESISTANCE AND MAKE INSTALLATION EASIER, THE SPEAKER WIRE TERMINALS ARE LOCATED ON THE SPEAKERS’ FRONT PANEL. BE SURE TO LEAVE ENOUGH WIRE AT THE SPEAKER LOCATION TO FEED THROUGH THE TUNNEL IN THE SPEAKER ENCLOSURE AND CONNECT TO THE TERMINALS ON THE FRONT.**

2. Attach the FastMount brackets to the mounting surface using hardware (not included) that is appropriate for the type of surface (see figure 3).

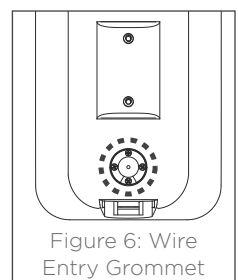


- If the installation requires that the speaker be mounted in a corner, attach the bracket with hardware (not included) through the slots in the angled corners (see figure 4).

3. If the installation requires that the speaker be mounted on a pole you can attach the FastMount brackets to the pole using 2.5” U-bolts (not included) (see figure 5).



4. Feed the speaker wires from the bracket into the wire entry grommet on the back of the speaker, through the wire tunnel and out the opening on the speaker’s front panel (see figure 6).



- The grommet forms a water-resistant seal around the speaker wire.
- Make sure there is enough slack in the wire to allow the speaker to pivot on the bracket.

5. Slide the speaker onto the bracket and firmly snap into place at the top and bottom of speaker. Pull enough wire through the front of the speaker to allow connection to the terminals (see figure 7).

**NOTE: BE SURE THAT THE BRACKET CLIPS SNAP COMPLETELY INTO PLACE TO PREVENT ANY BLOCKAGE WITHIN THE SPEAKER PERIMETER WHERE THE GRILLE IS TO BE INSERTED. PULL THE SPEAKER GENTLY TOWARD YOURSELF TO VERIFY THAT IT IS SECURELY IN PLACE.**

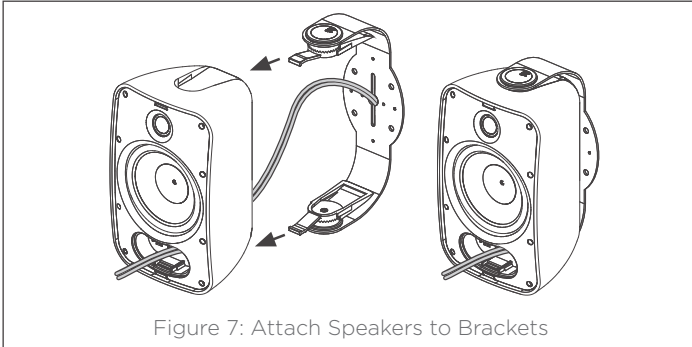


Figure 7: Attach Speakers to Brackets

6. Connect the speaker wires to the speaker's terminals:

- Strip about .5" of insulation from each conductor and twist the strands together or tin them with solder.
- Press-down on the tops of the connectors to open them.
- Insert the wires into the connector holes(see figure 8).
- Release the connectors.

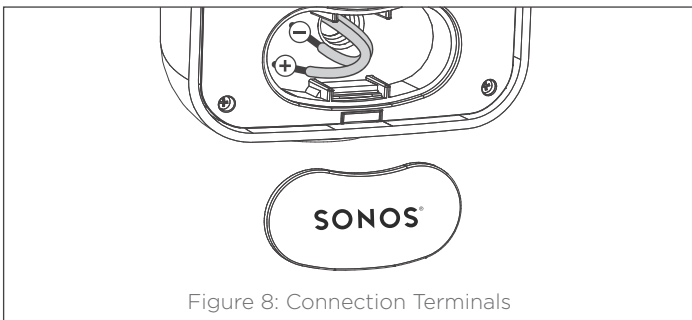


Figure 8: Connection Terminals

- The binding post connectors can accept wire up to 14 gauge.
- Double-check that you connected all of the wires properly (amplifier '+' to speaker '+'; amplifier '-' to speaker '-') at all connections.

**IMPORTANT: BE SURE NOT TO LET ANY STRAY '+' AND '-' WIRES TOUCH EACH OTHER. TOUCHING WIRES CAN CAUSE A SHORT-CIRCUIT THAT COULD DAMAGE YOUR AMPLIFIER.**

7. Fit the wiring connector cover into the recess in the speaker's front panel. The cover should fit tightly, but can be removed if the speaker needs to be disconnected (see figure 9).
8. Fit the grille onto the speaker by aligning the edges of the grille with the groove of the speaker face perimeter and pressing firmly until it is snugly in place (see figure 10). Start by inserting and pressing along the long edge, then insert one of the short edges. Continue with the other long edge, and finally the other short edge.

**NOTE: ALL SONOS OUTDOOR BY SONANCE SPEAKERS ARE COMPATIBLE WITH OMNIMOUNT STAINLESS STEEL 15.0 C AND 15.0 W SERIES SPEAKER BRACKETS. FOR MORE INFORMATION CONTACT YOUR SONOS AUTHORIZED DEALER OR GO TO WWW.OMNIMOUNT.COM.**

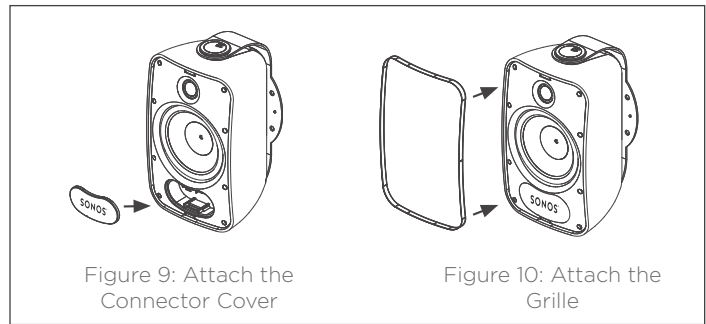


Figure 9: Attach the Connector Cover

Figure 10: Attach the Grille

## Removing the Speaker

To remove the speaker from the FastMount bracket, gently pull the grille from each corner until it is freed from the grooves of the speaker face. Once the grille is removed, remove the wire connector cover and disconnect the speaker wire from the spring loaded terminals. Next, use your thumbs to press outward on the top and bottom tabs of the speaker face, releasing the clips of the bracket. While pressing the tabs, pull gently on the speaker away from the bracket.

## Pivoting the Speaker

You can rotate the speaker in the bracket to direct the sound towards the listening area.

1. Unlock the slide locks on the speaker pivots by moving them towards the rear of the speaker as indicated by the unlock symbol (see figure 11).
2. Rotate the speakers to the desired position.
3. Lock the slide locks by moving them towards the front of the speaker as indicated by the lock symbol (see figure 11).

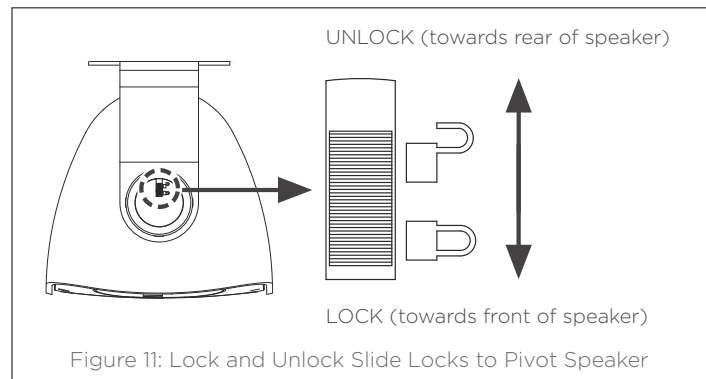


Figure 11: Lock and Unlock Slide Locks to Pivot Speaker

## Connect Speakers to Sonos Amp to Unlock SONOS Audio Enhancements

SONOS OUTDOOR by SONANCE speakers include exclusive audio enhancements when used with a SONOS Amp. Use the free SONOS app to unlock them.

Audio enhancements include:

- Custom EQ settings
- Gain adjustment
- Dynamic bass extension
- Signal limiting/loudspeaker protection

**TO UTILIZE THE AUDIO ENHANCEMENTS:**

1. Download the SONOS mobile app from the app store on a mobile device.
2. Open the app and follow the prompts to set up your SONOS system.
3. After Amp is set up, go to Room Settings and choose the room your speakers are in.
4. Select Advanced Audio -> Detect SONOS Architectural to unlock the audio enhancements.

**Painting the Speaker and Grille**

All SONOS OUTDOOR by SONANCE speakers feature a tough polypropylene enclosure that can be painted. SONOS recommends using a weather-resistant outdoor paint and a spray gun to paint the speakers.

1. If it has already been installed, remove the grille from the speaker.
2. To protect the speaker driver units during painting, place the grille on a piece of cardboard and trace around its outline. Then cut the cardboard just inside of the trace line and fit this "paint shield" into the speaker's baffle. (be careful not to damage the driver components while fitting the paint shield).
3. Paint the speaker the desired color according to the paint manufacturer's instructions. Remove the paint shield after the paint has thoroughly dried.
4. Paint the grille separately from the speaker using very thin paint (5:1 thinner:paint ratio). Avoid plugging the grille holes with excess paint.
5. After the paint has thoroughly dried, re-attach the grille to the speaker and remount.